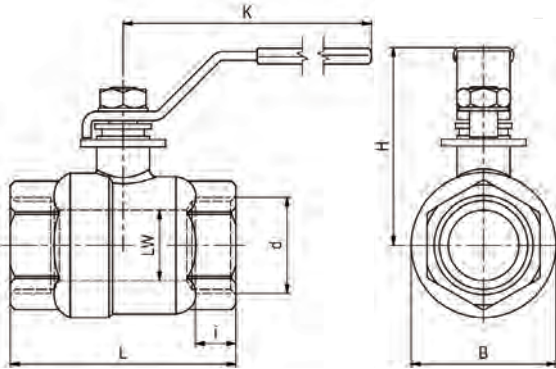


Behringer Two Way Low Pressure Ball Valve

For piping system assembly

Size Range: 1/4" - 4"



Features:

- Body, Ball and Stem CF8M (Stainless Steel)
- Full Port Valves.
- PTFE Ball Seats & O-rings (Others available on request).
- Temp Range -22°F to 392°F.
- Locking Handle comes standard

2 Way Low Pressure Stainless Steel Ball Valves			Working Pressure		Dimensions (in.)						Lever Material
Size	Thread Type	Part Number	PSI	Bar	LW	L	B	h	K	i	
1/4	NPT	BBV/T2L2T2T-M-LO	913.5	63	0.39	1.97	1.14	1.77	3.93	0.47	Stainless
	BSP	BBV/G2L2T2T-M-LO	913.5	63	0.39	1.97	1.14	1.77	3.93	0.47	Stainless
	SAE	BBV/O2L2T2T-M-LO	913.5	63	0.39	1.97	1.14	1.77	3.93	0.47	Stainless
3/8	NPT	BBV/T3L2T2T-M-LO	913.5	63	0.49	1.97	1.14	1.77	3.93	0.43	Stainless
	BSP	BBV/G3L2T2T-M-LO	913.5	63	0.49	1.97	1.14	1.77	3.93	0.43	Stainless
	SAE	BBV/O3L2T2T-M-LO	913.5	63	0.49	1.97	1.14	1.77	3.93	0.43	Stainless
1/2	NPT	BBV/T4L2T2T-M-LO	913.5	63	0.59	2.32	1.34	1.97	3.93	0.51	Stainless
	BSP	BBV/G4L2T2T-M-LO	913.5	63	0.59	2.32	1.34	1.97	3.93	0.51	Stainless
	SAE	BBV/O4L2T2T-M-LO	913.5	63	0.59	2.32	1.34	1.97	3.93	0.51	Stainless
3/4	NPT	BBV/T5L2T2T-M-LO	913.5	63	0.79	2.72	1.59	2.05	4.06	0.61	Stainless
	BSP	BBV/G5L2T2T-M-LO	913.5	63	0.79	2.72	1.59	2.05	4.06	0.61	Stainless
	SAE	BBV/O5L2T2T-M-LO	913.5	63	0.79	2.72	1.59	2.05	4.06	0.61	Stainless
1	NPT	BBV/T6L2T2T-M-LO	913.5	63	0.98	3.11	1.94	2.76	5.91	0.61	Stainless
	BSP	BBV/G6L2T2T-M-LO	913.5	63	0.98	3.11	1.94	2.76	5.91	0.61	Stainless
	SAE	BBV/O6L2T2T-M-LO	913.5	63	0.98	3.11	1.94	2.76	5.91	0.61	Stainless
1 1/4	NPT	BBV/T7L2T2T-M-LO	913.5	63	1.26	3.7	2.38	2.95	5.91	0.77	Stainless
	BSP	BBV/G7L2T2T-M-LO	913.5	63	1.26	3.7	2.38	2.95	5.91	0.77	Stainless
	SAE	BBV/O7L2T2T-M-LO	913.5	63	1.26	3.7	2.38	2.95	5.91	0.77	Stainless
1 1/2	NPT	BBV/T8L2T2T-M-LO	913.5	63	1.5	4.06	2.81	3.35	7.2	0.83	Stainless
	BSP	BBV/G8L2T2T-M-LO	913.5	63	1.5	4.06	2.81	3.35	7.2	0.83	Stainless
	SAE	BBV/O8L2T2T-M-LO	913.5	63	1.5	4.06	2.81	3.35	7.2	0.83	Stainless
2	NPT	BBV/T9L2T2T-M-LO	913.5	63	1.97	4.84	3.55	3.7	7.2	0.91	Stainless
	BSP	BBV/G9L2T2T-M-LO	913.5	63	1.97	4.84	3.55	3.7	7.2	0.91	Stainless
	SAE	BBV/O9L2T2T-M-LO	913.5	63	1.97	4.84	3.55	3.7	7.2	0.91	Stainless
2 1/2	NPT	BBV/T10L2T2T-M-LO	913.5	63	2.56	6.3	4.59	5.31	5.97	1.14	Stainless
	BSP	BBV/G10L2T2T-M-LO	913.5	63	2.56	6.3	4.59	5.31	5.97	1.14	Stainless
	SAE	BBV/O10L2T2T-M-LO	913.5	63	2.56	6.3	4.59	5.31	5.97	1.14	Stainless
3	NPT	BBV/T11L2T2T-M-LO	913.5	63	3.15	7.09	5.43	5.71	5.97	1.14	Stainless
	BSP	BBV/G11L2T2T-M-LO	913.5	63	3.15	7.09	5.43	5.71	5.97	1.14	Stainless
	SAE	BBV/O11L2T2T-M-LO	913.5	63	3.15	7.09	5.43	5.71	5.97	1.14	Stainless
4	NPT	BBV/T12L2T2T-M-LO	913.5	63	3.94	9.05	6.71	6.5	12.91	1.14	Stainless
	BSP	BBV/G12L2T2T-M-LO	913.5	63	3.94	9.05	6.71	6.5	12.91	1.14	Stainless
	SAE	BBV/O12L2T2T-M-LO	913.5	63	3.94	9.05	6.71	6.5	12.91	1.14	Stainless