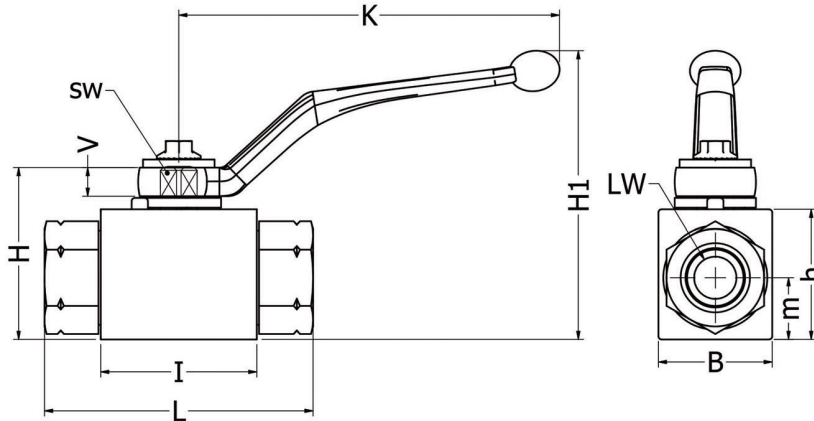


## Behringer 2-Way Ball Valves

Block Body Valves with Threaded Connections  
Size Range: 1/4" - 1"

### Features:

- Chrome Plated Steel Material (Stainless Steel Optional).
- Full Port Valves.
- Delrin Ball Seats (Others available on request).
- Viton O-rings (Others available on request).
- Zinc Iron Plated.
- Temp Range -20°F to 212°F.
- Hard Chrome-Plated Ball.
- Other options available upon request.



| High Pressure Block Body Valves<br>1/4 - 1 |             |               | Working Pressure |     | Dimensions (in.) |      |      |      |      |      |      |      |      |      | Lever Material |       |
|--|-------------|---------------|------------------|-----|------------------|------|------|------|------|------|------|------|------|------|----------------|-------|
| Size                                       | Thread Type | Part Number   | PSI              | Bar | I                | L    | B    | H    | h    | m    | V    | SW   | K    | H1   |                | LW    |
| 1/4  | NPT         | BBV/T2H1D1F-M | 7250             | 500 | 1.57             | 2.71 | 1.02 | 1.85 | 1.3  | 0.53 | 0.43 | 0.35 | 4.53 | 3.23 | 0.24           | Zinc  |
|  | SAE         | BBV/O2H1D1F-M | 7250             | 500 | 1.57             | 2.71 | 1.02 | 1.85 | 1.3  | 0.53 | 0.43 | 0.35 | 4.53 | 3.23 | 0.2            | Zinc  |
| 3/8  | NPT         | BBV/T3H1D1F-M | 7250             | 500 | 1.69             | 2.83 | 1.26 | 2.05 | 1.5  | 0.69 | 0.43 | 0.35 | 4.53 | 3.39 | 0.39           | Zinc  |
|  | SAE         | BBV/O3H1D1F-M | 7250             | 500 | 1.69             | 2.83 | 1.26 | 2.05 | 1.5  | 0.69 | 0.43 | 0.35 | 4.53 | 3.39 | 0.39           | Zinc  |
| 1/2  | NPT         | BBV/T4H1D1F-M | 7250             | 500 | 1.89             | 3.26 | 1.38 | 2.13 | 1.57 | 0.75 | 0.43 | 0.35 | 4.53 | 3.5  | 0.51           | Zinc  |
|  | SAE         | BBV/O4H1D1F-M | 7250             | 500 | 1.89             | 3.26 | 1.38 | 2.13 | 1.57 | 0.75 | 0.43 | 0.35 | 4.53 | 3.5  | 0.51           | Zinc  |
| 3/4  | NPT         | BBV/T5H1D1F-M | 6090             | 420 | 2.44             | 3.74 | 1.93 | 2.95 | 2.24 | 0.96 | 0.55 | 0.55 | 6.73 | 4.37 | 0.79           | Steel |
|  | SAE         | BBV/O5H1D1F-M | 6090             | 420 | 2.44             | 3.74 | 1.93 | 2.95 | 2.24 | 0.96 | 0.55 | 0.55 | 6.73 | 4.37 | 0.79           | Steel |
| 1  | NPT         | BBV/T6H1D1F-M | 5075             | 350 | 2.6              | 4.45 | 2.28 | 3.27 | 2.56 | 1.16 | 0.55 | 0.55 | 6.73 | 5.24 | 0.98           | Steel |
|  | SAE         | BBV/O6H1D1F-M | 5075             | 350 | 2.6              | 4.45 | 2.28 | 3.27 | 2.56 | 1.16 | 0.55 | 0.55 | 6.73 | 5.24 | 0.98           | Steel |