

## Behringer Hard Seat Check Valves

For Piping System Assembly

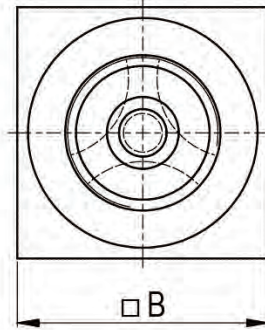
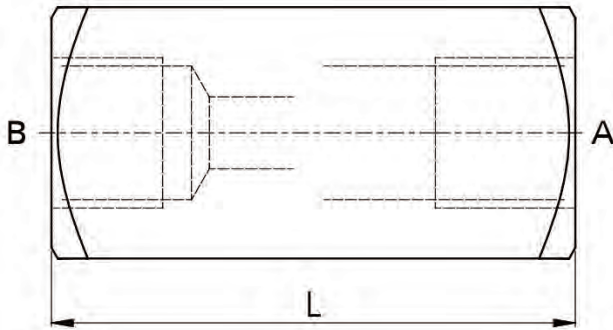
Size Range: DN6 -DN40 (1/8" to 2")



### Features:

- Steel / Stainless Steel
- Tmin/Tmax -20°C/100°C
- Cracking Pressure:
- \*Option: Cracking pressure

7.25 psi  
65.25 psi



F, Steel (NPT)				Dimensions (in.)	
Size	Spring	Part Number	PSI	L	B
1/8	7 PSI	BCV/T1H1-7-M	7250	1.77	0.63
	65 PSI	BCV/T1H1-65-M			
1/4	7 PSI	BCV/T2H1-7-M	7250	2.17	0.98
	65 PSI	BCV/T2H1-65-M			
3/8	7 PSI	BCV/T3H1-7-M	7250	2.56	1.18
	65 PSI	BCV/T3H1-65-M			
1/2	7 PSI	BCV/T4H1-7-M	7250	2.87	1.38
	65 PSI	BCV/T4H1-65-M			
3/4	7 PSI	BCV/T5H1-7-M	7250	3.46	1.77
	65 PSI	BCV/T5H1-65-M			
1	7 PSI	BCV/T6H1-7-M	7250	5	1.97
	65 PSI	BCV/T6H1-65-M			
1 1/4	7 PSI	BCV/T7H1-7-M	5800	5.63	2.36
	65 PSI	BCV/T7H1-65-M			
1 1/2	7 PSI	BCV/T8H1-7-M	5075	5.63	2.78
	65 PSI	BCV/T8H1-65-M			
2	7 PSI	BCV/T9H1-7-M	5075	6.5	3.54
	65 PSI	BCV/T9H1-65-M			

Hard Seat Check Valves, Steel (SAE)				Dimensions (in.)	
Size	Spring	Part Number	PSI	L	B
1/4	7 PSI	BCV/O2H1-7-M	7250	2.15	0.98
	65 PSI	BCV/O2H1-65-M			
3/8	7 PSI	BCV/O3H1-7-M	7250	2.56	1.18
	65 PSI	BCV/O3H1-65-M			
1/2	7 PSI	BCV/O4H1-7-M	7250	2.87	1.38
	65 PSI	BCV/O4H1-65-M			
3/4	7 PSI	BCV/O5H1-7-M	7250	3.84	1.77
	65 PSI	BCV/O5H1-65-M			
1	7 PSI	BCV/O6H1-7-M	7250	5.02	1.97
	65 PSI	BCV/O6H1-65-M			
1.25	7 PSI	BCV/O7H1-7-M	5800	5.57	2.36
	65 PSI	BCV/O7H1-65-M			
1 1/2	7 PSI	BCV/O8H1-7-M	5075	5.49	2.78
	65 PSI	BCV/O8H1-65-M			
2	7 PSI	BCV/O9H1-7-M	5075	6.5	3.54
	65 PSI	BCV/O9H1-65-M			