

BEHRINGER®

BE9021/4-25A Data Sheet

Dimensional Data:

Length: 4.45 IN
 OD (Top): 1.735 IN
 OD (Bottom): 1.735 IN
 ID (Top): 1.025 IN
 ID (Bottom): None
 Thread: None

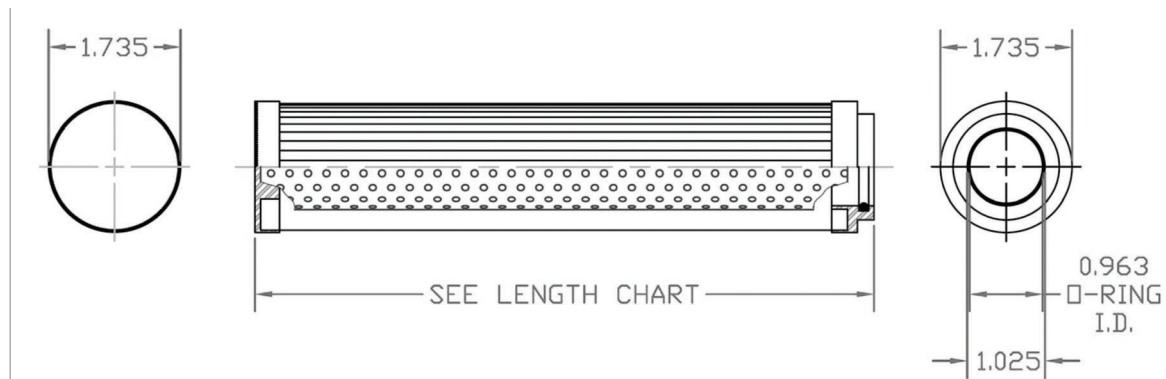


Performance Data:

Micron Rating: 25.00
 Maximum Temperature: 225 °F
 Collapse Rating: 3000 PSID
 Flow Direction: Out to In
 Recommended Change Out: 50 PSID
 By-Pass: None

Physical Specifications:

Media: Microglass
 Gasket Material: Buna
 Gasket Type: O-Ring
 Adhesive: Epoxy
 End Caps: Corrosion Resistant CS
 Center Tube: Corrosion Resistant CS
 Configuration: SOE



Materials of Construction	
Center Tube	Corrosion Resistant Steel
End Caps	Corrosion Resistant Steel
Seals	omit Nitrile (-45F to 225F)
	V Viton (-20F to 250F)
	E EPR (-65F to 300F)
Pleat Pack	A Absolute Rated Micro-Glass
	N Nominal Paper
	W Stainless Steel Wire Mesh
	SF Stainless Steel Fiber
H	Micro-Glass with Water Removal

Collapse Rating: 3000 psid
 Filtration Rating: Bx = 200
 Bx[c] = 1000

Length Chart	
/3	3.320 ± .040
/4	4.450 ± .040
/4.37	4.370 ± .040
/8	8.180 ± .040
/9	8.525 ± .040

TOLERANCES (Unless Otherwise Specified)	
0.0:	± 0.090 in.
0.00:	± 0.030 in.
0.000:	± 0.005 in.