

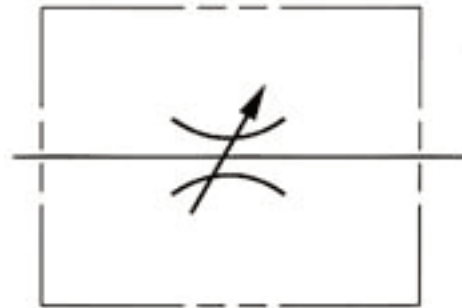
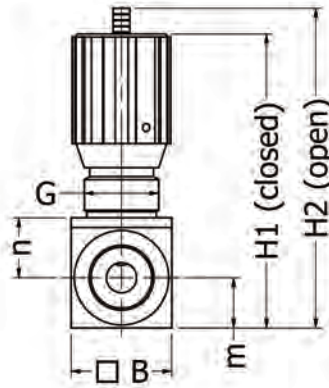
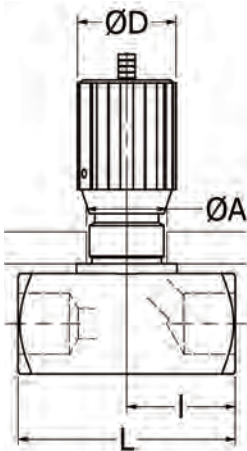
Behringer Needle Valves

For piping system assembly
Size Range: 1/8" - 2"



Features:

- Steel / Stainless Steel
- NBR, FPM O-rings.
- Tmin/Tmax -20°F/212°F



Needle Valves			Maximum Pressure		Dimensions (in.)								Mounting Thread (G)	Panel Thickness	
Size	Thread Type	Part Number	PSI	Bar	H1	H2	m	n	B	I	L	D			A
1/8	NPT	BNV/T1H1D1F-M	5075	350	2	2.2	0.31	0.39	0.63	0.75	1.5	0.94	0.51	Pg 7	0.16
	SAE	BNV/O1H1D1F-M	5075	350	2	2.2	0.31	0.39	0.63	0.75	1.5	0.94	0.51	Pg 7	0.16
1/4	NPT	BNV/T2H1D1F-M	5075	350	2.56	2.8	0.5	0.57	0.98	0.95	1.89	1.14	0.75	Pg 11	0.28
	SAE	BNV/O2H1D1F-M	5075	350	2.56	2.8	0.5	0.57	0.98	0.95	1.89	1.14	0.75	Pg 11	0.28
3/8	NPT	BNV/T3H1D1F-M	5075	350	2.68	2.95	0.59	0.67	1.18	1.14	2.67	1.14	0.75	Pg 11	0.28
	SAE	BNV/O3H1D1F-M	5075	350	2.68	2.95	0.59	0.67	1.18	1.14	2.28	1.14	0.75	Pg 11	0.28
1/2	NPT	BNV/T4H1D1F-M	5075	350	3.23	3.62	0.69	0.83	1.38	1.34	2.68	1.5	0.91	Pg 16	0.28
	SAE	BNV/O4H1D1F-M	5075	350	3.23	3.62	0.69	0.83	1.38	1.34	2.68	1.5	0.91	Pg 16	0.28
3/4	NPT	BNV/T5H1D1F-M	5075	350	3.78	4.17	0.89	1.02	1.77	1.54	3.07	1.5	0.91	Pg 16	0.28
	SAE	BNV/O5H1D1F-M	5075	350	3.78	4.17	0.89	1.02	1.77	2.13	4.25	1.5	0.91	Pg 16	0.28
1	NPT	BNV/T6H1D1F-M	5075	350	4.77	5.28	0.98	1.18	1.97	2.13	4.25	1.93	1.5	Pg 29	0.39
	SAE	BNV/O6H1D1F-M	5075	350	4.77	5.28	0.98	1.18	1.97	2.13	4.25	1.93	1.5	Pg 29	0.39
1 1/4	NPT	BNV/T7H1D1F-M	5075	350	4.96	5.47	1.18	1.38	2.36	2.13	4.25	1.93	1.5	Pg 29	0.39
	SAE	BNV/O7H1D1F-M	5075	350	4.96	5.47	1.18	1.38	2.36	2.13	4.25	1.93	1.5	Pg 29	0.39
1 1/2	NPT	BNV/T8H1D1F-M	5075	350	5.16	5.67	1.38	1.57	2.78	2.13	4.25	1.93	1.5	Pg 29	0.39
	SAE	BNV/O8H1D1F-M	5075	350	5.16	5.67	1.38	1.57	2.78	2.13	4.25	1.93	1.5	Pg 29	0.39
2	NPT	BNV/T9H1D1F-M	5075	350	5.55	6.06	1.77	2	3.54	3.54	2.36	1.93	1.5	Pg 29	0.39
	SAE	BNV/O9H1D1F-M	5075	350	5.55	6.06	1.77	2	3.54	3.54	2.36	1.93	1.5	Pg 29	0.39