

# BEHRINGER®

## BSO128E10N38 Data Sheet

### Dimensional Data:

Length 11.00 IN  
OD (Top): 5.06 IN  
OD (Bottom): 5.06 IN  
Thread: 1 1/2" – 16 UNF

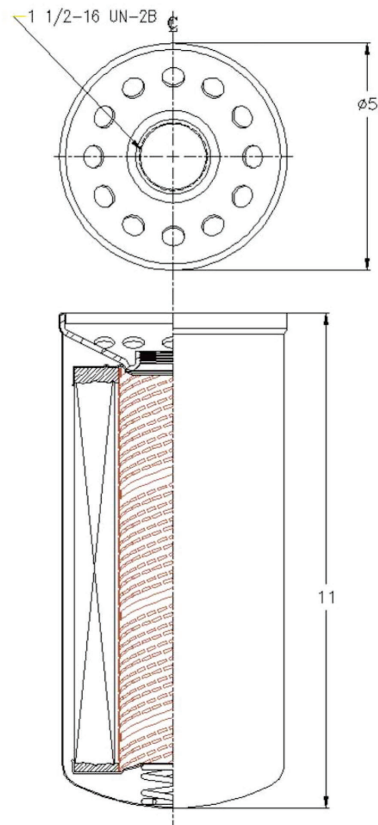


### Performance Data:

Micron Rating: 10.00 Nominal  
Maximum Temperature: 225 °F  
Flow Direction: Out to In  
Recommended Change Out: 20 PSID  
By-Pass: None

### Physical Specifications:

Media: Paper  
Seal Material: Buna  
Adhesive: Epoxy  
Material: Drawn Steel Can  
Configuration: SOE



Operating Pressure:	100 PSI
Operating Temp:	-40°F to 225°F
Collapse Rating:	80 PSID
Thread Size:	1-1/2" - 16 UNF
Filtration Rating:	B <sub>3</sub> = 200