

BEHRINGER®

BSO92S10N25 Data Sheet

Dimensional Data:

Length 5.50 IN
OD (Top): 3.62 IN
OD (Bottom): 3.62 IN
Thread: 1 – 12 UNF

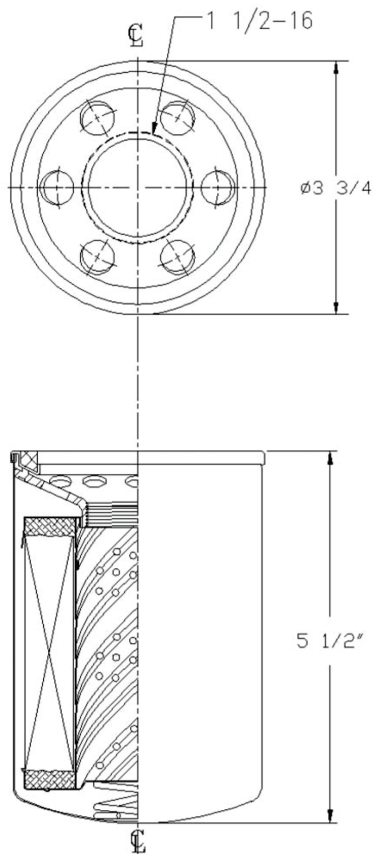


Performance Data:

Micron Rating: 10.00 Nominal
Maximum Temperature: 225 °F
Flow Direction: Out to In
Recommended Change Out: 20 PSID
By-Pass: None

Physical Specifications:

Media: Paper
Seal Material: Buna
Adhesive: Epoxy
Material: Drawn Steel Can
Configuration: SOE



| | |
|---------------------|----------------------|
| Operating Pressure: | 225 PSI |
| Operating Temp: | -65° F to 250° F |
| Collapse Rating: | 80 PSID MAX |
| Thread Size: | 1 1/2-16 |
| Filtration Rating: | B ₁ = 200 |
| Seal Materials: | Buna Gasket |
| Gasket ID: | 2-21/32" |
| Gasket OD: | 3-15/32" |